

7919040042 Linde Forklift Joystick

Product Features

- Dual axis, 360° control;
- Mechanical spring-return to center;
- Full sealed design;
- Operation force: 2N±1N;
- Operation temperature: -35C° to 80C°;
- Easy to install, flexible operation, uniform texture, maintenance-free;
- 5 million life cycles.

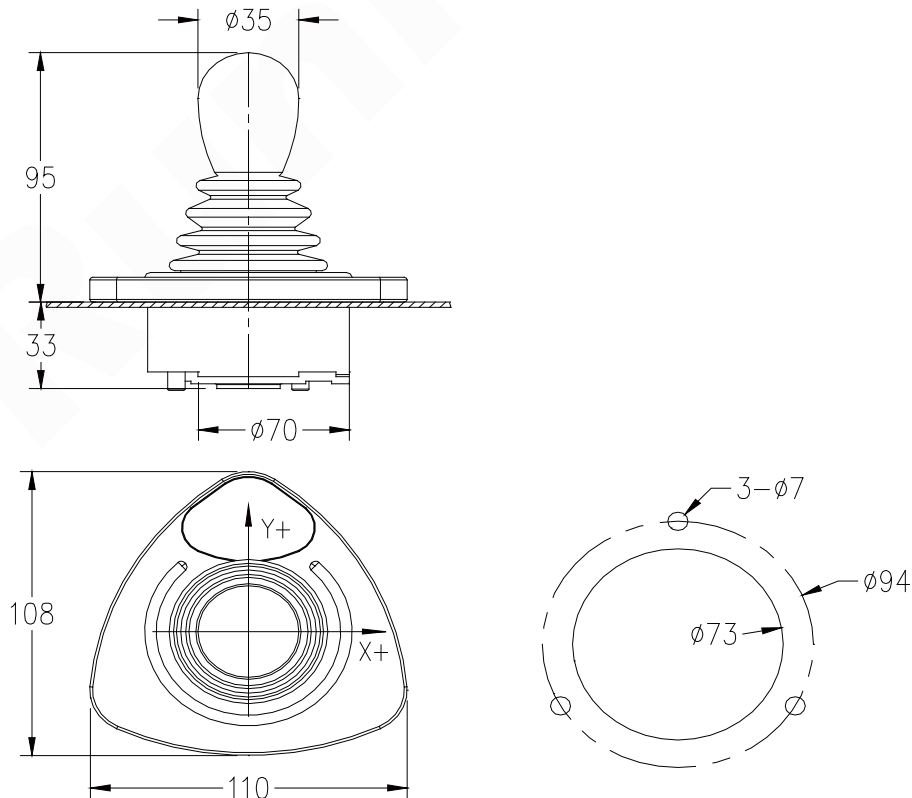
Application

Fits to the following Linde models:

Linde 116 R14X/R16X/R17X/R17XHD, Linde 116-02 R14X/R16X/R17X/R17XHD
 Linde 318 C90/5,C90/6,C90/7,C90/8, Linde 335-02 E14/E16/E18/E20-02
 Linde 336-31 E25/E30, Linde 336-02/03 E20/E25/E30
 Linde 346 E1820/E20P, Linde 359 H100/H120/H140/H150/H160/H180-T2/T3
 Linde 386 E12/E14/E15/E16/E18/E20, Linde 391-01 H14/H16/H18/H20
 Linde 392-01 H20/H25, Linde 393-01 H25/30/35
 Linde 394-01 H40/H45/H50-500, Linde 396-01 H50/H60/H70/H80



Mounting Dimension



7919040041 Linde Forklift Joystick

Product Features

- Dual axis, cross control;
- Mechanical spring-return to center;
- Full sealed design;
- Operation force: $2N \pm 1N$;
- Operation temperature: -35°C to 80°C ;
- Easy to install, flexible operation, uniform texture, maintenance-free;
- 5 million life cycles.

Application

Fits to the following Linde models:

Linde 116 R14X/R16X/R17X/R17XHD, Linde 116-02 R14X/R16X/R17X/R17XHD
 Linde 318 C90/5,C90/6,C90/7,C90/8, Linde 335-02 E14/E16/E18/E20-02
 Linde 336-31 E25/E30, Linde 336-02/03 E20/E25/E30
 Linde 346 E1820/E20P, Linde 359 H100/H120/H140/H150/H160/H180-T2/T3
 Linde 386 E12/E14/E15/E16/E18/E20, Linde 391-01 H14/H16/H18/H20
 Linde 392-01 H20/H25, Linde 393-01 H25/30/35
 Linde 394-01 H40/H45/H50-500, Linde 396-01 H50/H60/H70/H80



Mounting Dimension

