

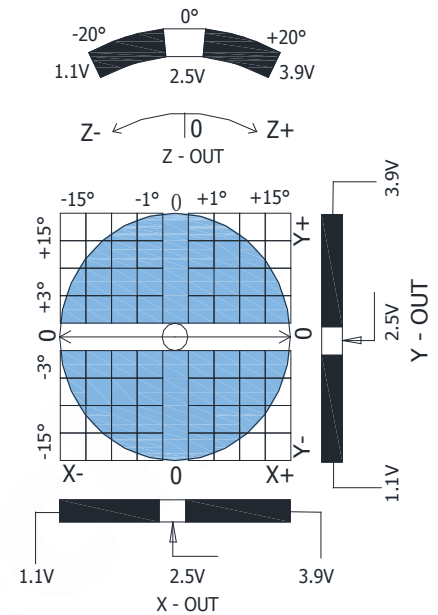
RT2000 Series Multi-Axis Contactless Hall Effect Joystick Controller



- P/N: RT2000-T-XYZ-POPOP-25-SPL-SPL-N
- Three-axis (XYZ axis) free movement;
- Non-contact Hall effect technology;
- Spring return (automatically return to center);
- Operation force: 2N;
- Built-in 5 million life span Hall Effect sensor;
- Above panel sealed up to IP64;
- Operation temperature: -10~80°C;
- Analog output

Input voltage DC 5V ±0.5V
 Output voltage X: 1.1V-2.5V-3.9V
 Y: 1.1V-2.5V-3.9V
 Z: 1.1V-2.5V-3.9V

Independent linear tolerance: ± 1 %, ±0.5%
 Resolution ratio: infinite
 Temperature coefficient: ±400 ppm/°C
 X & Y axis angle: ±32°
 X & Y axis angle: ±20°
 Insulated resistance: 50 MΩ@ 500 VDC, 60 sec



PCB connector

VDD 1	2	X - OUT
GND 3	4	Y - OUT
NC 5	6	REF
Z - OUT 7	8	NC

