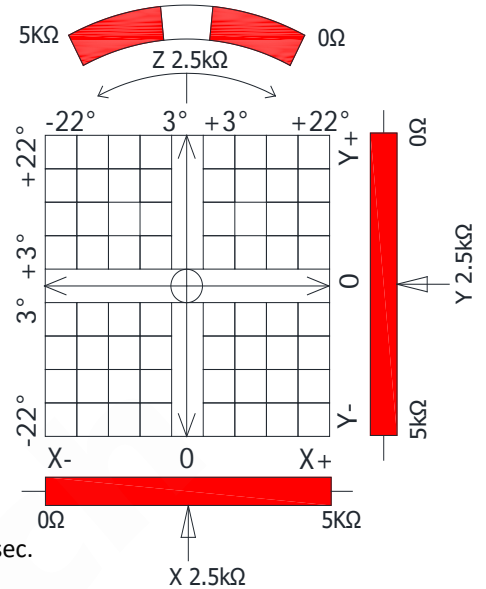


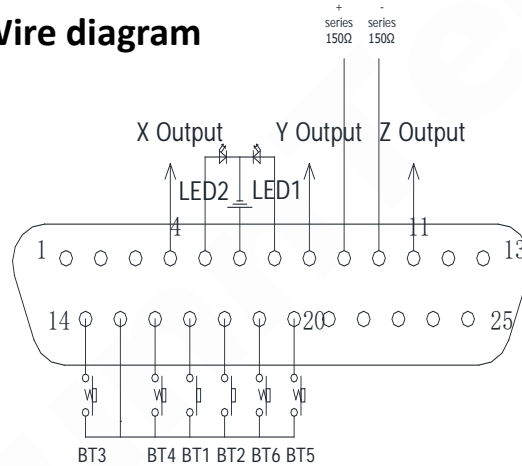
## 920943.0058 Joystick



- 3 axis, omnidirectional movement;
- Self-centering operation;
- Operation force: 5N;
- Above panel sealed up to IP64;
- Operation temperature: -20...80°C;
- Analog output:  
 Input voltage: 5Vdc  
 Output voltage: 0.4...2.5...4.6Vdc  
 Resistance: 5KΩ  
 Resistance tolerance: ±5%  
 Independent linear tolerance: ±1%, ±0.5%  
 Resolution ratio: infinite  
 Temperature coefficient: ±400 ppm/°C  
 X/Y axis deflection angle: ±22°  
 Insulated resistance: 50 MΩ@ 500 VDC, 60 sec.



### Wire diagram



DB25-Male Connector

